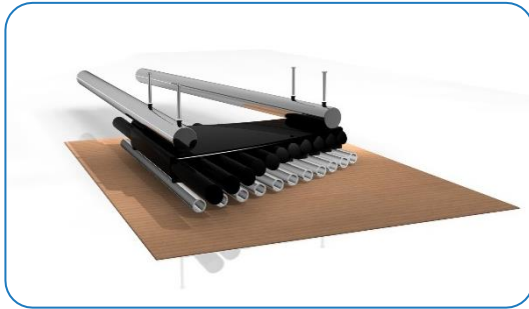
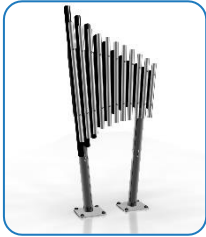


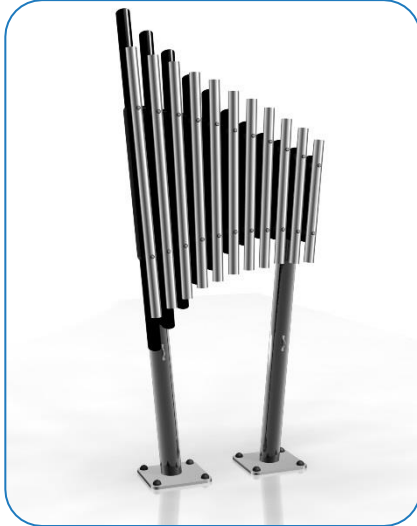
# Installation Instructions

## Surface Fixed

Cherub  
Page 1 of 3



1. Carefully lay 2 x legs on a level surface and insert M10x200 bar and nuts. Using packing box as protection lay instrument note side down on the card. Line up pre drilled holes in the backboard with the legs and ensure the instrument is aligned square with the legs. Fix in place using M10x100mm screws supplied (see installation guide).



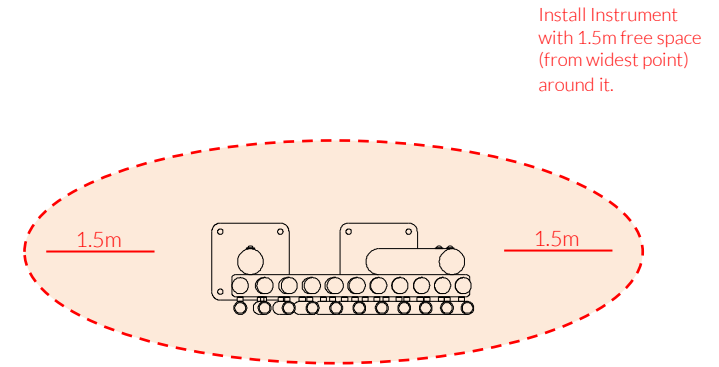
2. Attach surface plates to each leg with M10x70mm and Barrel nuts supplied. (See Surface Fix Installation Sheet)



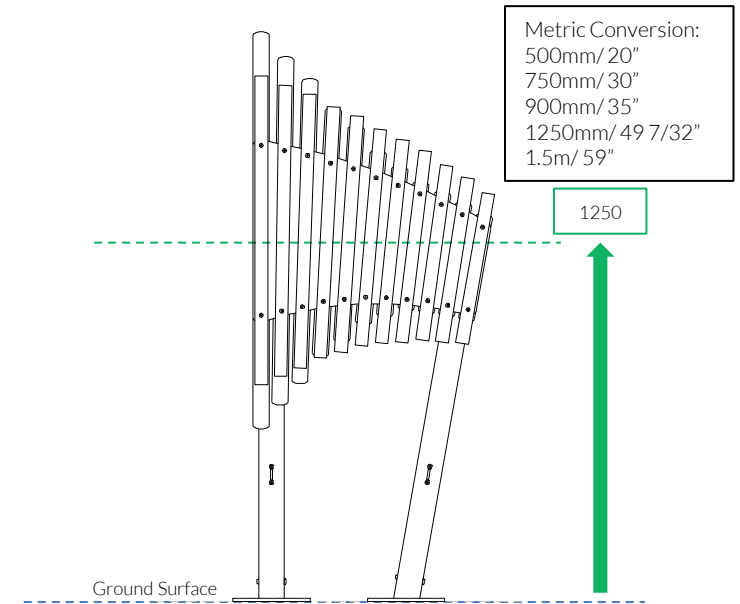
3. Fix Surface Plates to level surface using Coachscrews, Rawlbolts, chemical anchors or similar as deemed appropriate by Installer.

4. Make sure all fixings are covered and secure using cover caps provided.

5. Beaters can be fixed to Stainless Steel posts with fixings provided.



Install Instrument with 1.5m free space (from widest point) around it.

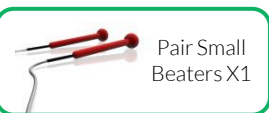


Metric Conversion:  
500mm/ 20"  
750mm/ 30"  
900mm/ 35"  
1250mm/ 49 7/32"  
1.5m/ 59"

1250

Ground Surface

Weight of heaviest part 15kg



Pair Small Beaters X1

Surface Fix Components:



x2



x2



x8

Ground Anchors not supplied



Spares available from [percussionplay.com](http://percussionplay.com) or from your local distributor

22 Kg

### Components:



x4

M10x100 Security Screw



x2

M6 Saddle Straps



x4

M6x20mm Secure Screw

Thread Lock Solution Required (Not Supplied)

## Surface Fixed

Cherub  
Page 2 of 3



### Components:



x4

M10x100 Security Screw



x2

M6 Saddle Straps



x4

M6x20mm  
Secure Screw

Thread Lock Solution  
Required (Not Supplied)



BS EN 1176



Pair Small  
Beaters X1

Surface Fix  
Components:

M10x70 Security Screw x2

M10 Barrel Nut x2

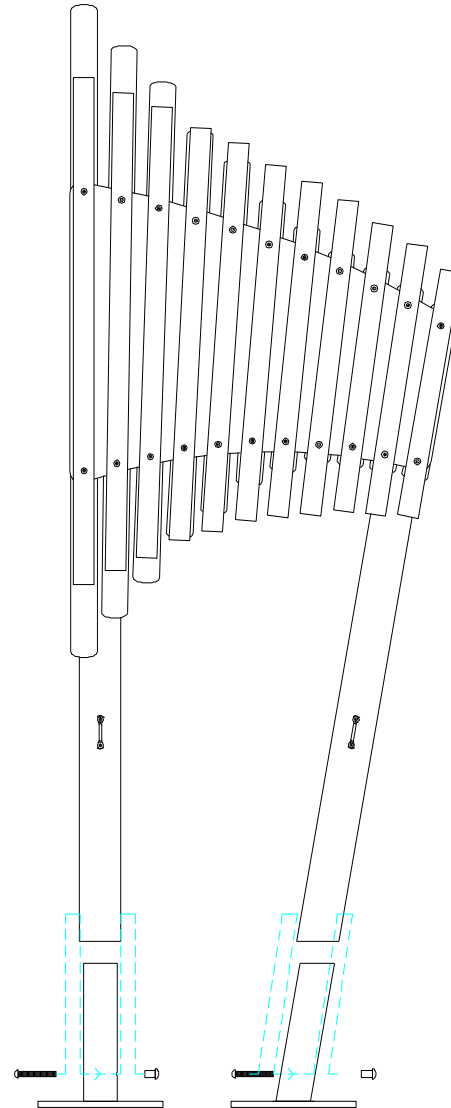
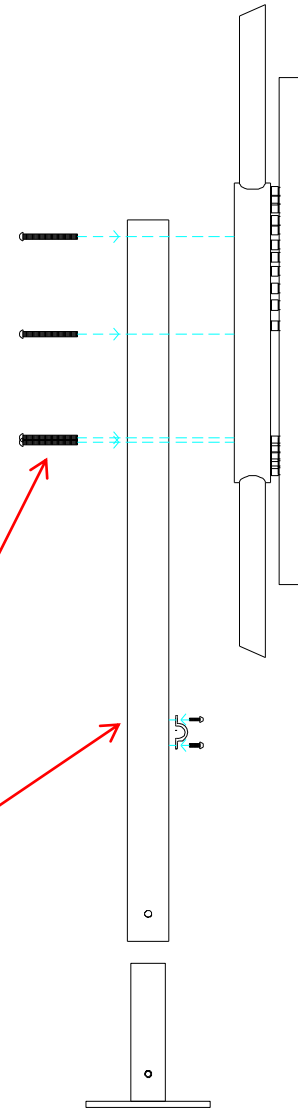
2 Part Cover Cap x8

Ground Anchors  
not supplied



Spares available from  
[percussionplay.com](http://percussionplay.com) or from your  
local distributor

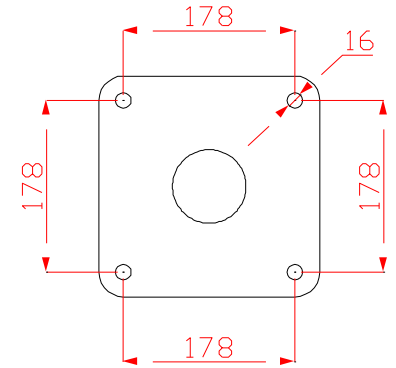
22 Kg



Tools:

TX45 Driver Bit x2

TX30 Driver Bit x1



### COMPONENTS LIST:

Saddle Strap X2

M6x20 Pin torx X4

M10x100 Pin torx X4

M10x70 Pin torx X2

M10 Barrel Nut Pin torx X2

Tools:

 x2  
 TX 45 Driver Bit

## Surface Fixed

Cherub  
Page 3 of 3



### Components:



x2

M10 Barrel Nut



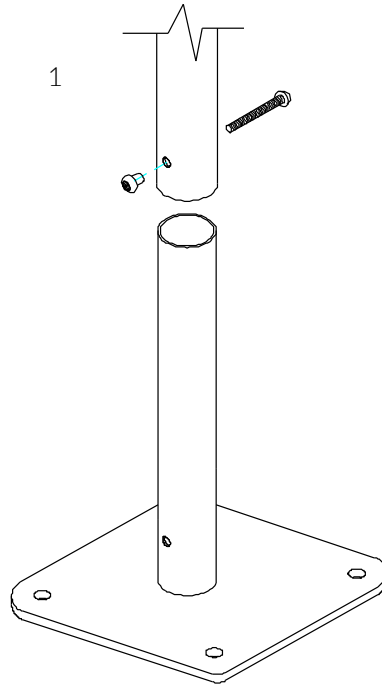
x2

M10x70 Security Screw

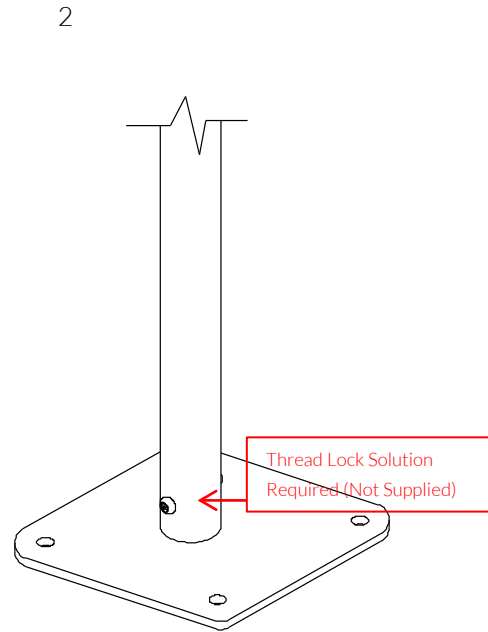


x8

2 Part Cover Cap

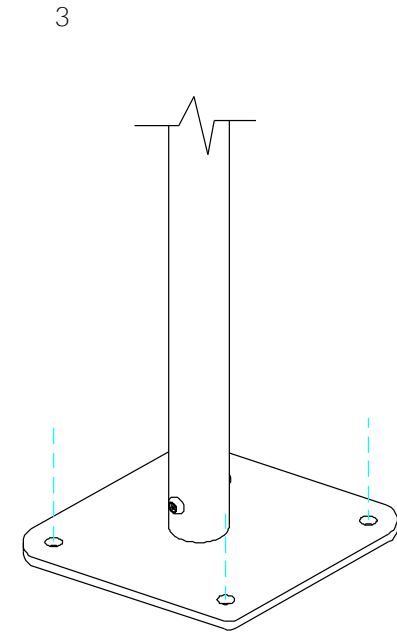


1  
Locate the Surface fix Plate into the leg of the instrument.



2  
Fix instrument to Surface fix plate using M10 bolt and Barrel Nut and use **thread locking solution** to prevent fixings working loose.

Thread Lock Solution Required (Not Supplied)



3  
Fix Surface Plate to the ground surface **Ground Anchors Not provided** cover fixings with caps provided

Thread Lock Solution Required (Not Supplied)



MADE IN BRITAIN

BSEN 1176

